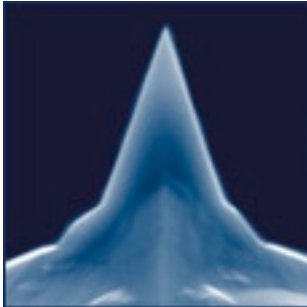
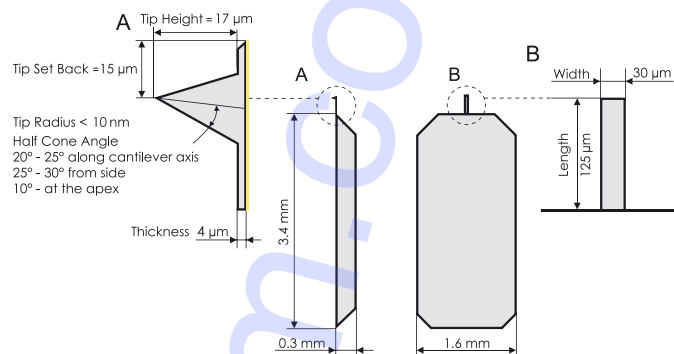


AFM probe Model: Tap300AI



- Tapping Mode, Intermittent Contact Mode
- Rotated Monolithic Silicon Probe
Symmetric Tip Shape
Chip size: 3.4 x 1.6 x 0.3 mm
- Coating: Aluminium reflex coating, 30 nm thick
- This probe uses an "on scan angle" symmetric tip to provide a more symmetric representation of features over 200 nm.



	Typical Values	Range
Resonant Frequency	300 kHz	+/- 100 kHz
Force Constant	40 N/m	20 - 75 N/m
Cantilever Length	125 µm	+/- 10 µm
Mean Width	30 µm	+/- 5 µm
Thickness	4 µm	+/- 1 µm
Tip Height	17 µm	+/- 2 µm
Tip Set Back	15 µm	+/- 5 µm
Tip Radius	< 10 nm	
Coating	30 nm thick Aluminium coating	
Half Cone Angle	20° - 25° along cantilever axis 25° - 30° from side 10° at the apex	

Order Code	Units in Package	Coating	Price
Tap300AI-10	10 pieces	Aluminium Reflex	\$210
Tap300AI-50	50 pieces	Aluminium Reflex	\$890
Tap300AI-W	380 pieces	Aluminium Reflex	\$3900