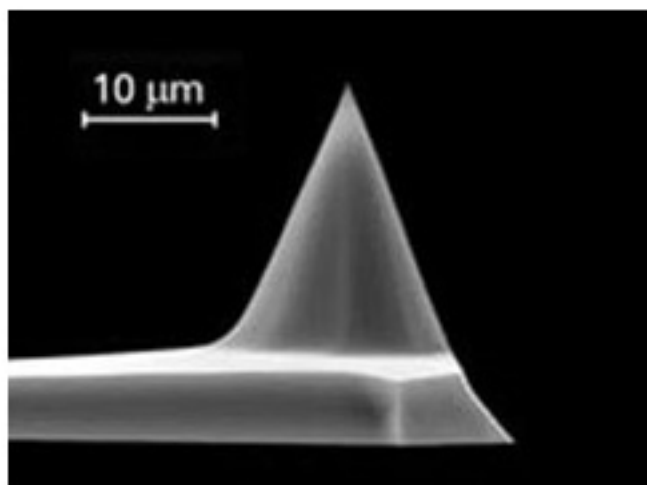


# NSC11

## PROBE



MikroMasch中国代理：  
本原纳米仪器有限公司  
Tel: 800-830-3560



SEM image of uncoated silicon SPM probe tip

Silicon etched probe tip of the NSC series has a conical shape.

**Typical probe tip radius** of uncoated tip  
10 nm

**Full tip cone angle\***  
40°

**Tip aspect ratio**  
more than 3:1 (4:1 typical)

**Total tip height**  
20..25 μm

**Probe material**  
n-type silicon (phosphorus doped)

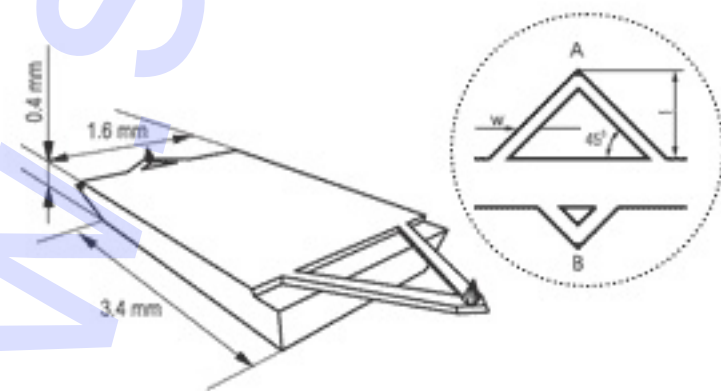
**Probe bulk resistivity**  
0.01..0.05 Ohm\*cm

\*The full cone angle may be less than 40° at the last 200 nm of the tip end.

## CANTILEVERS



SEM image of triangular cantilever of the NSC11 series.



Schematic drawing of the probe chip.

NSC11 Cantilevers	Resonant Frequency, kHz			Spring Constant, N/m			Length l ± 5, μm	Width w ± 3, μm	Thickness t ± 0.3, μm
	min	typ	max	min	typ	max			
A	45	<b>60</b>	75	1.5	<b>3.0</b>	5.0	200	40	2.0
B	260	<b>330</b>	420	23	<b>48</b>	91	90		